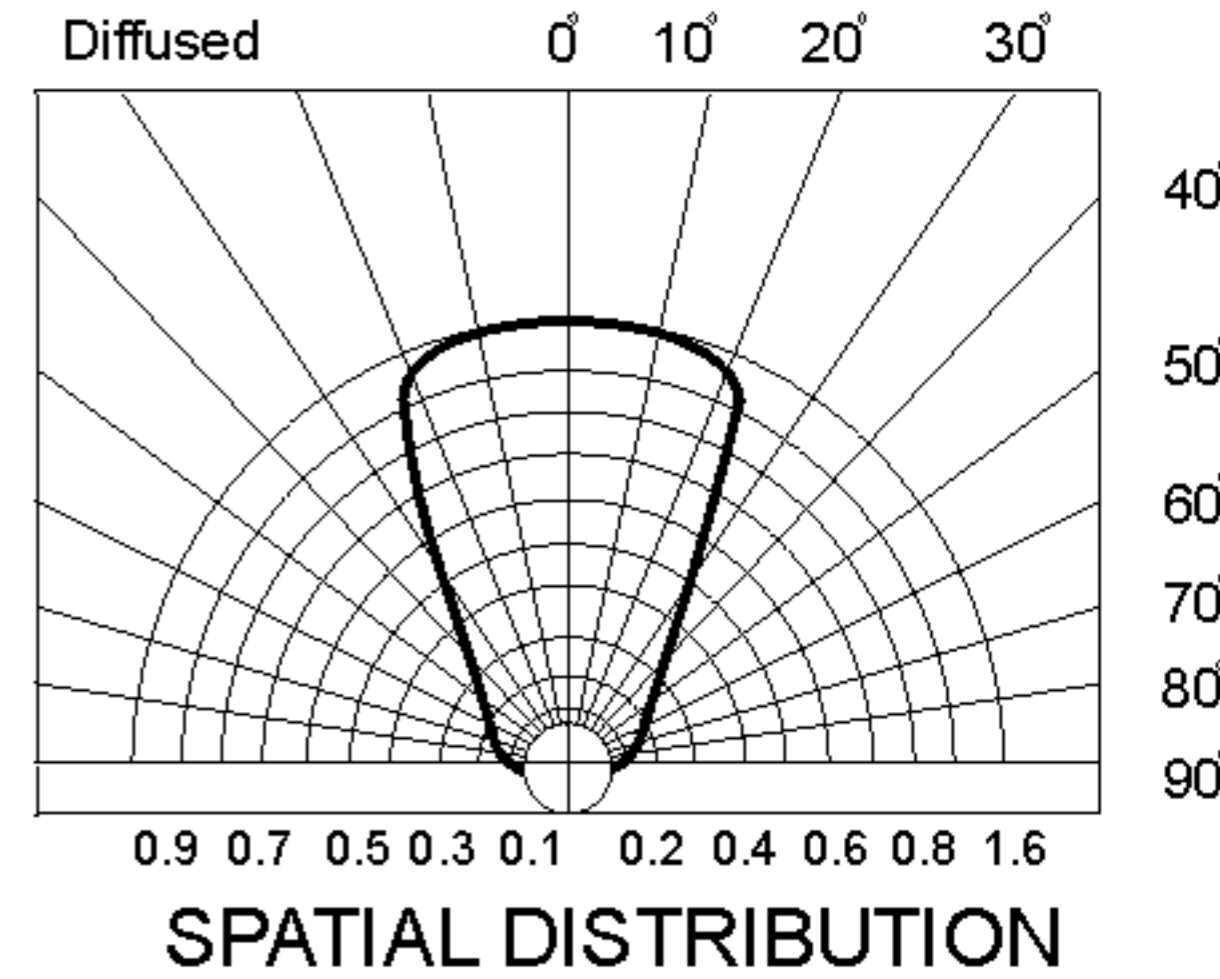
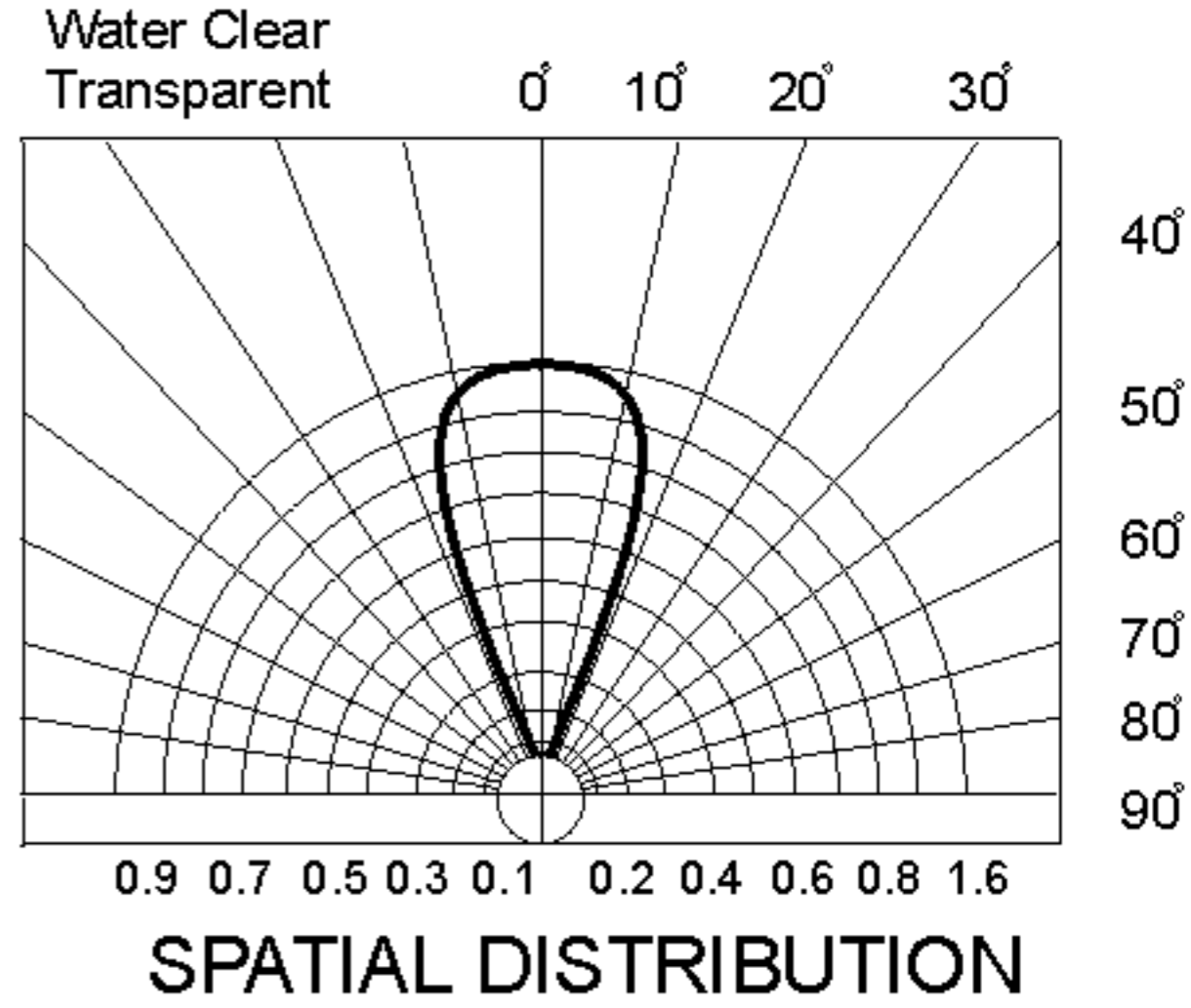
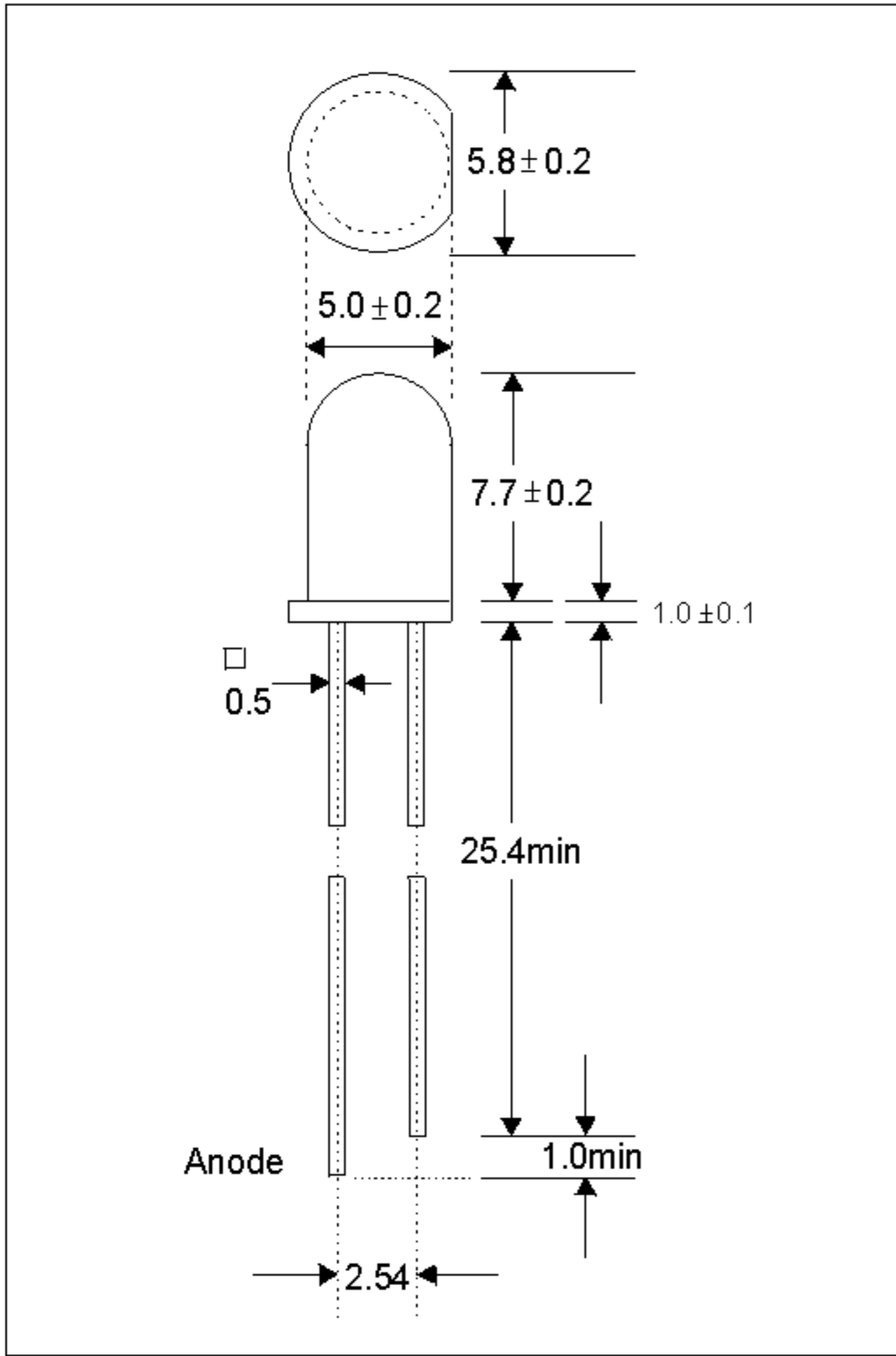


L-513XX SERIES

5mm, Round Type LED Lamp

PACKAGE DIMENSIONS(unit: mm)



ABSOLUTE MAXIMUM RATINGS:(Ta=25°C)

Reverse Voltage	: 5 Volt
Reverse Current(Vr=5V)	: 10uA
Operating Temperature Range	: -40°C to+85°C
Storage Temperature Range	: -40°C to+100°C
Lead Soldering Temperature	: 260°C for 5 Seconds

PART SELECTION AND APPLICATION INFORMATION(RATINGS AT 25°C AMBIENT)

PART NO.	CHIP			LENS COLOR	Absolute Maximum Ratings				Electrical-Optical Characteris						Viewing Angle (deg)
	Material	PEAK WAVE Lenght λp(nm)	Emitting Color		Δλ (nm)	pd (nW)	IF (mA)	Peak if(mA)	VF(V)			Rec if(mA)	Iv(mcd)		
									Min.	Typ.	Max.	Max.	Min.	Typ.	
513HD (5132D)	GaP	697	Red	90	45	15	50	1.7	2.3	2.8	20	2.5	4.5	60	